

Technical Data Sheet

CODE 11187

MF 150/6" PIR LL

Wall axial fans



Certifications



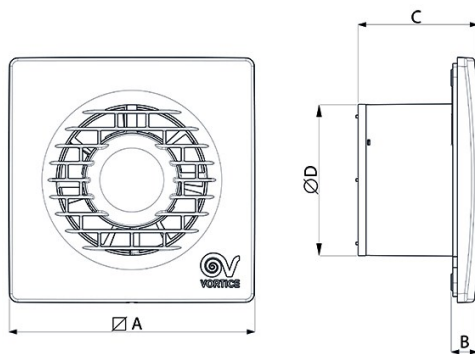
IMQ Performance



TECHNICAL AND PERFORMANCE DATA

Absorbed Current max (A)	0,15	Ø Discharge Hole (mm)	156
Absorbed Power max (W)	28	Voltage (V)	220-240
Frequency (Hz)	50	Weight (Kg)	0,97
Insulation Class	II°	Delivery max (l/s)	93
IP	X4	Delivery max (m³/h)	335
Max ambient temperature for continuous operation (°C)	50	Pressure max (mmH2O)	6
Max. absorbed power at max speed (W)	28	Pressure max (Pa)	59
Nominal Diameter (mm)	150	RPM	2100
		Sound Pressure level Lp [dB (A)] 3m	40,1

DIMENSIONS



Size A (mm)	214
Size B (mm)	17
Size C (mm)	96
Size D (mm)	156

PER INFORMAZIONI:

Servizio al Cliente: tel +39 02 90699395 premendo 1 dopo messaggio registrato (consulenza su prodotti e impianti)

Pre & Post Vendita: fax +39 02 90699302

Email prevendita: prevendita@vortice-italy.com

Technical Data Sheet

CODE 11187

MF 150/6" PIR LL

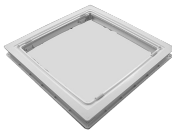
Wall axial fans



DESCRIPTION

- Material: UV resistant plastic (prevents ageing caused by exposure to sunlight).
- Nominal diameter 150 mm.
- Motor protected against thermal overload, with shaft turning in ball bearings, coupled to screw type thermoplastic impeller with wing profile blades.
- Maximum air flow: 335 m3/h.
- Incorporates electronic presence detector with infrared sensor, and electronic timer designed to shut off the motor automatically after a set interval, selectable during installation in the range 3'-20' (default setting 3'), after the room has been vacated.
- Non-return damper fitted to outlet port.
- IMQ SAFETY and IMQ PERFORMANCE certifications.
- Vortice speed controller.

ACCESSORIES



SF 150

Code 22164

PER INFORMAZIONI:

Servizio al Cliente: tel +39 02 90699395 premendo 1 dopo messaggio registrato (consulenza su prodotti e impianti)

Pre & Post Vendita: fax +39 02 90699302

Email prevendita: prevendita@vortice-italy.com