

Technical Data Sheet

CODE 15182

TORRETTA TRM 15 E-V 4P

Centrifugal roof fans with vertical discharge



Certifications

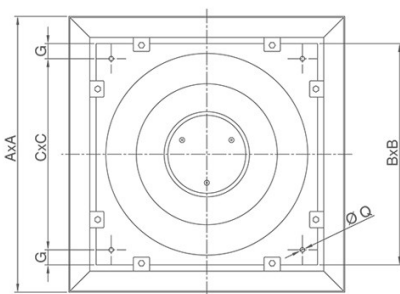
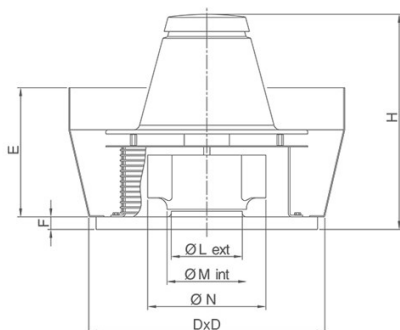
CE CE

EAC EAC

TECHNICAL AND PERFORMANCE DATA

Absorbed Current max (A)	0,70	Number of Poles	4
Absorbed Power max (W)	150	Voltage (V)	230
Frequency (Hz)	50	Weight (Kg)	24
Insulation Class	I°	Delivery max (l/s)	389
Max ambient temperature for continuous operation (°C)	80	Delivery max (m³/h)	1400
Motor IP protection	55	Pressure max (mmH2O)	26
Nominal Diameter (mm)	200	Pressure max (Pa)	255
Number of Phases (Ph)	1	RPM	1400
		Sound Pressure level Lp [dB (A)] 3m	58,5

DIMENSIONS



Dimensione Q (mm)	Ø 11
Size A (mm)	652
Size B (mm)	410
Size C (mm)	357
Size D (mm)	440
Size E (mm)	328
Size F (mm)	38
Size G (mm)	26,5
Size H (mm)	502
Size L (mm)	182
Size M (mm)	Ø
Size N (mm)	Ø 315

PER INFORMAZIONI:

Servizio al Cliente: tel +39 02 90699395 premendo 1 dopo messaggio registrato (consulenza su prodotti e impianti)

Pre & Post Vendita: fax +39 02 90699302

Email prevendita: prevendita@vortice-italy.com

Technical Data Sheet

CODE 15182

TORRETTA TRM 15 E-V 4P

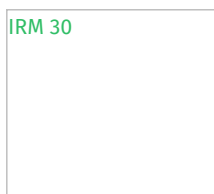
Centrifugal roof fans with vertical discharge



DESCRIPTION

- Base manufactured from phosphated pressed steel, epoxy powder coated with hammered effect finish, guaranteeing long-term resistance to atmospheric agents.
- Aerodynamically contoured inlet port for optimum performance, fashioned as a single unit with the base and gauged to optimize air flow.
- Pressed steel motor cover: pickled and phosphated surface, polyester powder coated and oven baked finish, colour grey, with hammered texture.
- Pressed steel side baffles angled to exhaust extracted air upwards: zinc-coated, pickled and phosphated surface, polyester powder coated and oven baked finish, colour grey, with hammered texture.
- Accident prevention and anti-bird grilles (to UNI ISO 13857 standard), consisting of electrically welded steel rings with epoxy powder coated finish, colour black.
- Centrifugal aluminium impeller with self-cleaning backward curved blades, dynamically balanced (UNI ISO 1940, Point 1 – Class 6.3), and splined aluminium hub.
- 1 speed single phase AC motor, size to UNEL MEC standard, flange B5, with shaft turning in double shielded ball bearings, insulation class H.
- Equipped with capacitor to EN 60252-1 standard, IMQ certified.
- Cooling fan for better dissipation of heat
- Galvanized steel eye lugs for transport and lifting/handling operations.
- Cable guaranteeing continuity of earth connection.
- Steel safety wire for anchoring appliances once installed.
- Vortice speed controller.

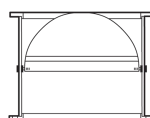
ACCESSORIES



IRM 30
Code 12921



IREM 3 CD
99250080
Code 12931



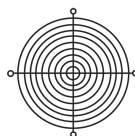
TR-S 10/15
(SERRANDA A GRAVITA')
Code 22500



TR-CU 10/15
(CONTROTELAIO DI BASE U.)
Code 22511



TR-B 10/15
(BOCCAGLIO ASPIRAZIONE)
Code 22600



TR-G 10/15
(GRIGLIA DI PROTEZIONE)
Code 22700



C 1.5
(COMANDO EL. 1.5 A)
Code 12966



IREM INVERTER

PER INFORMAZIONI:

Servizio al Cliente: tel +39 02 90699395 premendo 1 dopo messaggio registrato (consulenza su prodotti e impianti)

Pre & Post Vendita: fax +39 02 90699302

Email prevendita: prevendita@vortice-italy.com

