

Technical Data Sheet

CODE 17143

LINEO 100 Q

Mixed flow extractor fans



Certifications



IMQ



CE



IMQ Performance

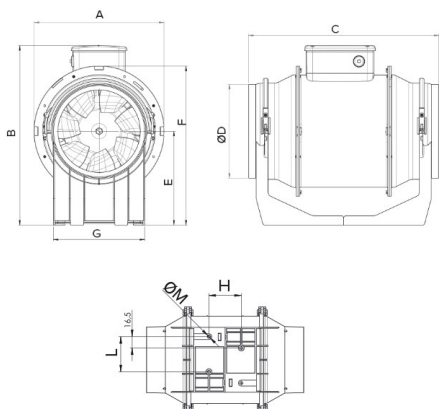


UKCA

TECHNICAL AND PERFORMANCE DATA

Absorbed power 1st speed (W)	12	Delivery 1st speed (l/s)	43,1
Absorbed Power max (W)	15	Delivery 1st speed (m ³ /h)	155
Frequency (Hz)	50	Max delivery at max speed (l/s)	55,6
Insulation Class	II ^o	Max delivery at max speed (m ³ /h)	200
IP	44	Pressure - 1st speed (mmH2O)	6,5
Max ambient temperature for continuous operation (°C)	60	Pressure - 1st speed (Pa)	63,8
Max. absorbed Current at max. speed (A)	0,07	Pressure max - max speed (mmH2O)	7,5
Max. absorbed Current at min. speed (A)	0,05	Pressure max - max speed (Pa)	73,6
Nominal Diameter (mm)	100	RPM max	2450
Voltage (V)	220-240	RPM min	1860
Weight (Kg)	1,25	Sound pressure level Lp [dB (A)] 3m - max speed	37,9
		Sound pressure level Lp [dB (A)] 3m - min speed	29,4

DIMENSIONS



Size A (mm)	156
Size B (mm)	174
Size C (mm)	231
Size D (mm)	Ø 96
Size E (mm)	82
Size F (mm)	152
Size G (mm)	95
Size H (mm)	51,5
Size L (mm)	47,5
Size M (mm)	4,5

PER INFORMAZIONI:

Servizio al Cliente: tel +39 02 90699395 premendo 1 dopo messaggio registrato (consulenza su prodotti e impianti)

Pre & Post Vendita: fax +39 02 90699302

Email prevendita: prevendita@vortice-italy.com

Technical Data Sheet

CODE 17143

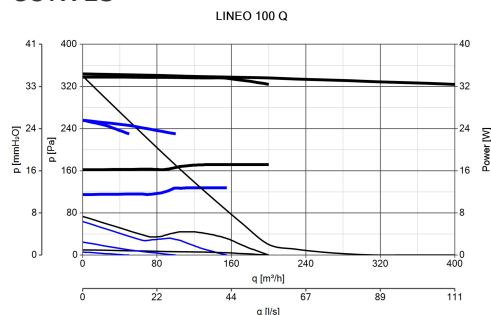
LINEO 100 Q

Mixed flow extractor fans



DESCRIPTION

CURVES



ACCESSORIES



C TEMP

Code 12992



C SMOKE

Code 12993



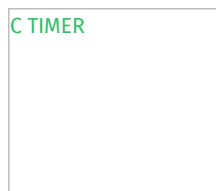
C HCS

Code 12994



C PIR

Code 12998



C TIMER

Code 12999



KIT SCB (TRASF.E.C.)

Code 22481



C 1.5 (COMANDO EL. 1.5 A)

Code 12966



IN-LINE-S 100

Code 22551



LINEO-PF 100

Code 22577



LINEO-C 100

Code 22584



LINEO-G 100

Code 22701

PER INFORMAZIONI:

Servizio al Cliente: tel +39 02 90699395 premendo 1 dopo messaggio registrato (consulenza su prodotti e impianti)

Pre & Post Vendita: fax +39 02 90699302

Email prevendita: prevendita@vortice-italy.com



DUO

Code 22914