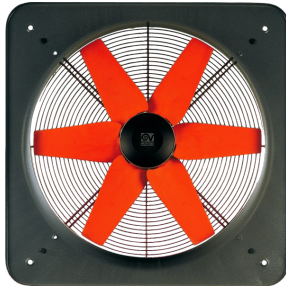


Technical Data Sheet

CODE 40203

E 252 M

Low-pressure plate axial fans



Certifications

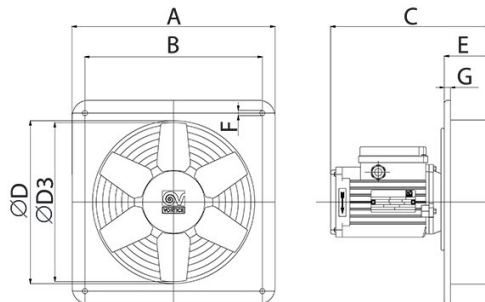
CE CE

EAC EAC

TECHNICAL AND PERFORMANCE DATA

Absorbed Current at 220 V (A)	0,45	Motor IP protection	44
Absorbed Current at 240 V (A)	0,47	Nominal Diameter (mm)	250
Absorbed Current max (A)	0,47	Number of Poles	2
Absorbed Power at 220 V (W)	95	Voltage (V)	220-240
Absorbed Power at 240 V (W)	105	Weight (Kg)	3,5
Absorbed Power max (W)	105	Delivery max (l/s)	416,7
Frequency (Hz)	50	Delivery max (m ³ /h)	1500
Insulation Class	I°	Pressure max (mmH ₂ O)	20
Max ambient temperature for continuous operation (°C)	70	Pressure max (Pa)	196
Max Temperature of Exhaust Air (Continuous Operation)	70	RPM	2800
		Sound Pressure level Lp [dB (A)] 3m	71

DIMENSIONS



Diametro Ø (mm)	250
Size A (mm)	320
Size B (mm)	280
Size C (mm)	201
Size D (mm)	Ø
	256
Size D3 (mm)	Ø
	250
Size E (mm)	68
Size F (mm)	8
Size G (mm)	10

PER INFORMAZIONI:

Servizio al Cliente: tel +39 02 90699395 premendo 1 dopo messaggio registrato (consulenza su prodotti e impianti)

Pre & Post Vendita: fax +39 02 90699302

Email prevendita: prevendita@vortice-italy.com

Technical Data Sheet

CODE 40203

E 252 M

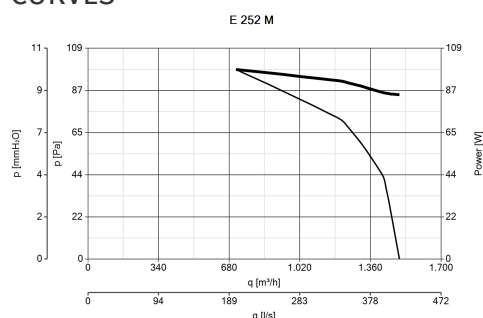
Low-pressure plate axial fans



DESCRIPTION

- Nominal diameter 250 mm
- Wall-mounting panel manufactured from phosphated pressed steel, polyester powder coated with hammered effect finish, guaranteeing long-term resistance to atmospheric agents.
- Ventilation port fashioned in one piece with the panel and gauged to optimize air flow.
- Protective grille (in accordance with UNI ISO 13857 standard) combining the function of motor bracket, made of electrically welded steel with epoxy paint finish, colour black. Easy removal simplifies maintenance and cleaning of the fan.
- 1 speed asynchronous single phase AC motor with shaft turning in double shielded ball bearings, insulation class F.
- Maximum air flow: 1,500 m³/h.
- Impeller with 6 wing profile blades keyed to a diecast aluminium hub and dynamically balanced (UNI ISO 1940 – Balancing class 6.3), optimized to deliver maximum performance and low noise levels, moulded from filled polypropylene for superior dimensional stability and resistance to atmospheric agents.
- Vortice speed controller.

CURVES



ACCESSORIES



IRM 30

Code 12921



IREM 3 CD

99250080

Code 12931



IREM 5 CD

99250081

Code 12932



IREM 9 CD

99250082

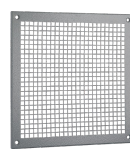
Code 12933



PGR 250

(PERSIANA GRAVITA')

Code 50150



TRA 250

(TELAIO CON RETE ANTINF.)

Code 51150



DPU 250

(Distanziatore)

Code 52151



PER INFORMAZIONI:

Servizio al Cliente: tel +39 02 90699395 premendo 1 dopo messaggio registrato (consulenza su prodotti e impianti)

Pre & Post Vendita: fax +39 02 90699302

Email prevendita: prevendita@vortice-italy.com



IREM INVERTER

4 M

Code 12815