

# Technical Data Sheet

CODE 42260

## A-E 404 M

Compact plate axial fans



### Certifications

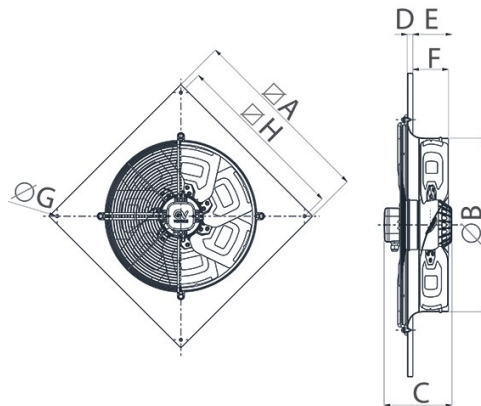
CE CE

EAC EAC

### TECHNICAL AND PERFORMANCE DATA

Absorbed Current max (A)	1,33	Voltage (V)	220-240
Absorbed Power max (W)	300	Weight (Kg)	9.3
Frequency (Hz)	50	Delivery max (l/s)	1197
Insulation Class	1°	Delivery max (m <sup>3</sup> /h)	4310
IP	54	Pressure max - max speed (mmH20)	15.5
Max ambient temperature for continuous operation (°C)	50	Pressure max (Pa)	152
Motor IP protection	54	RPM	1400
Nominal Diameter (mm)	400	Sound power level Lw [dB(A)]	76.1
Number of Phases (Ph)	1	Sound pressure level Lp in free field [dB(A)] 1 m	65.1
Number of Poles	4	Sound pressure level Lp in free field [dB(A)] 3 m	55.6

### DIMENSIONS



Size A (mm)	510
Size B (mm)	406
Size C (mm)	200
Size D (mm)	12
Size E (mm)	108
Size F (mm)	88
Size G (mm)	12
Size H (mm)	430

#### PER INFORMAZIONI:

Servizio al Cliente: tel +39 02 90699395 premendo 1 dopo messaggio registrato (consulenza su prodotti e impianti)

Pre & Post Vendita: fax +39 02 90699302

Email prevendita: prevendita@vortice-italy.com

# Technical Data Sheet

CODE 42260

## A-E 404 M

Compact plate axial fans



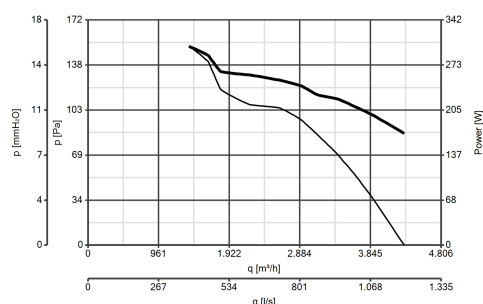
### DESCRIPTION

- Nominal diameter 400 mm
- Panels made of pressed steel, phosphated and epoxy powder coated with hammered effect finish, guaranteeing long-term resistance to atmospheric agents.
- Ventilation port fashioned in one piece with the panel, gauged to optimize air flow, aerodynamically contoured and elongated to optimize performance and facilitate connection to the relative duct.
- Protective grille (in accordance with UNI ISO 13857 standard) combining the function of motor bracket, made of electrically welded steel with epoxy paint finish, colour black. Easy removal simplifies

maintenance and cleaning of the fan.

- 1 speed single phase AC motor of external rotor type designed to minimize axial dimensions, with shaft turning in ball bearings, insulation class F, thermal overload protection.
- Maximum air flow 4063 m<sup>3</sup>/h
- Dynamically balanced impeller (UNI ISO 1940, Point 1 - Class 6.3); 4 pressed steel blades, electrolytically galvanized and polyester powder-coated, colour black.
- Vortice speed controller.

### CURVES



### ACCESSORIES



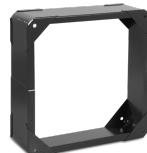
**IEM 3 CD**  
**99250080**

Code 12931



**IRM 30**

Code 12921



**DPU 400**  
**(DISTANZIATORE)**

Code 52451



**PGR 400**  
**(PERSIANA**  
**GRAVITA')**

Code 50450



**TRA 400**  
**(TELAIO CON**  
**RETE ANTINF.)**

Code 51450



**IEM INVERTER**  
**4 M**

Code 12815

#### PER INFORMAZIONI:

Servizio al Cliente: tel +39 02 90699395 premendo 1 dopo messaggio registrato (consulenza su prodotti e impianti)

Pre & Post Vendita: fax +39 02 90699302

Email prevendita: prevendita@vortice-italy.com