

Technical Data Sheet

CODE 42261

A-E 404 T

Compact plate axial fans



Certifications

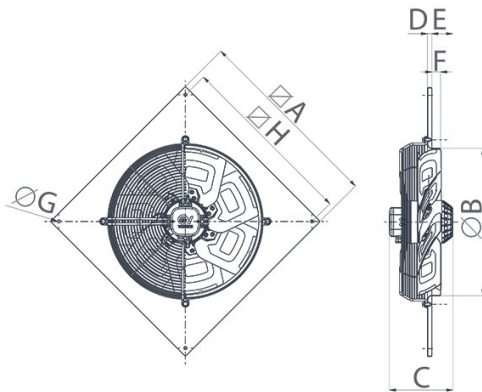
CE CE

EAC EAC

TECHNICAL AND PERFORMANCE DATA

Absorbed Current max (A)	0,65	Voltage (V)	380-415
Absorbed Power max (W)	318	Weight (Kg)	6,3
Frequency (Hz)	50	Delivery max (l/s)	1064
Insulation Class	1°	Delivery max (m³/h)	3832
IP	54	Pressure max - max speed (mmH20)	25,0
Max ambient temperature for continuous operation (°C)	50	Pressure max (Pa)	246
Nominal Diameter (mm)	400	RPM	1400
Number of Phases (Ph)	3	Sound power level Lw [dB(A)]	73,5
Number of Poles	4	Sound pressure level Lp in free field [dB(A)] 1 m	53,0
		Sound pressure level Lp in free field [dB(A)] 3 m	62,5

DIMENSIONS



Size A (mm)	510
Size B (mm)	406
Size C (mm)	207
Size D (mm)	15
Size E (mm)	67
Size F (mm)	30
Size G (mm)	12
Size H (mm)	430

PER INFORMAZIONI:

Servizio al Cliente: tel +39 02 90699395 premendo 1 dopo messaggio registrato (consulenza su prodotti e impianti)

Pre & Post Vendita: fax +39 02 90699302

Email prevendita: prevendita@vortice-italy.com

Technical Data Sheet

CODE 42261

A-E 404 T

Compact plate axial fans



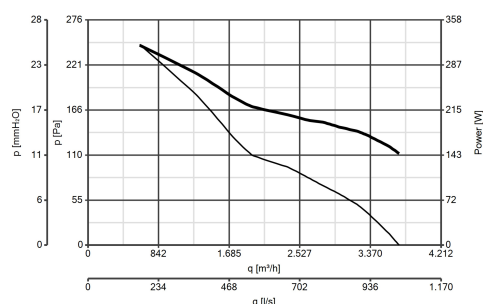
DESCRIPTION

- Nominal diameter 400 mm
- Panels made of pressed steel, phosphated and epoxy powder coated with hammered effect finish, guaranteeing long-term resistance to atmospheric agents.
- Ventilation port fashioned in one piece with the panel, gauged to optimize air flow, aerodynamically contoured and elongated to optimize performance and facilitate connection to the relative duct.
- Protective grille (in accordance with UNI ISO 13857 standard) combining the function of motor bracket, made of electrically welded steel with epoxy paint finish, colour black. Easy removal simplifies

maintenance and cleaning of the fan.

- 1 speed three-phase AC motor of external rotor type designed to minimize axial dimensions, with shaft turning in ball bearings, insulation class F, thermal overload protection.
- Maximum air flow 3832 m³/h
- Dynamically balanced impeller (UNI ISO 1940, Point 1 - Class 6.3); 4 pressed steel blades, electrolytically galvanized and polyester powder-coated, colour black.
- Vortice speed controller.

CURVES



ACCESSORIES



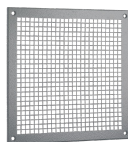
IRT 15
Code 12923



DPU 400
(DISTANZIATORE)
Code 52451



PGR 400
(PERSIANA
GRAVITA')
Code 50450



TRA 400
(TELAIO CON
RETE ANTINF.)
Code 51450



IRET INVERTER
2,5 M
Code 12816



IRT 35
Code 12924

PER INFORMAZIONI:

Servizio al Cliente: tel +39 02 90699395 premendo 1 dopo messaggio registrato (consulenza su prodotti e impianti)

Pre & Post Vendita: fax +39 02 90699302

Email prevendita: prevendita@vortice-italy.com