

Technical Data Sheet

CODE 42307

A-E 454 M

Compact plate axial fans



Certifications

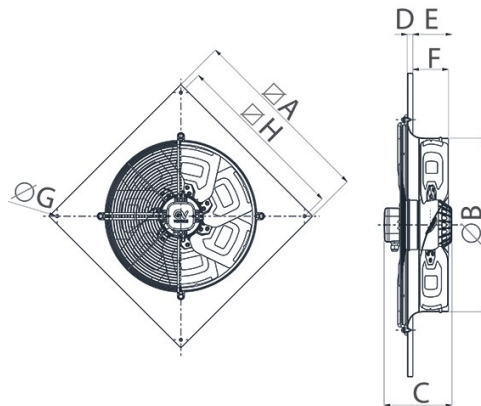
CE CE

EAC EAC

TECHNICAL AND PERFORMANCE DATA

Absorbed Current max (A)	1.19	Voltage (V)	220-240
Absorbed Power max (W)	270	Weight (Kg)	15.0
Frequency (Hz)	50	Delivery max (l/s)	1388
Insulation Class	1°	Delivery max (m ³ /h)	4998
IP	54	Pressure max - max speed (mmH20)	9.95
Max ambient temperature for continuous operation (°C)	50	Pressure max (Pa)	97,6
Motor IP protection	54	RPM	1400
Nominal Diameter (mm)	450	Sound power level Lw [dB(A)]	75.3
Number of Phases (Ph)	1	Sound pressure level Lp in free field [dB(A)] 1 m	64.3
Number of Poles	4	Sound pressure level Lp in free field [dB(A)] 3 m	54.8

DIMENSIONS



Size A (mm)	630
Size B (mm)	455
Size C (mm)	206
Size D (mm)	15
Size E (mm)	100
Size F (mm)	85
Size G (mm)	12
Size H (mm)	530

PER INFORMAZIONI:

Servizio al Cliente: tel +39 02 90699395 premendo 1 dopo messaggio registrato (consulenza su prodotti e impianti)

Pre & Post Vendita: fax +39 02 90699302

Email prevendita: prevendita@vortice-italy.com

Technical Data Sheet

CODE 42307

A-E 454 M

Compact plate axial fans



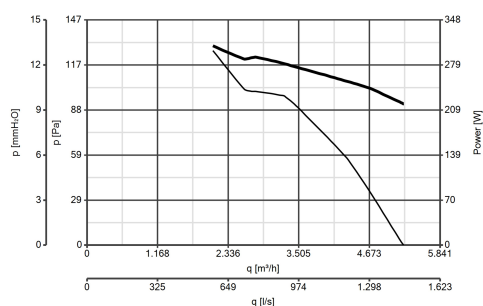
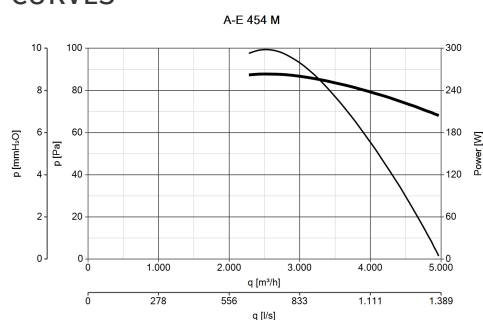
DESCRIPTION

- Nominal diameter 450 mm
- Panels made of pressed steel, phosphated and epoxy powder coated with hammered effect finish, guaranteeing long-term resistance to atmospheric agents.
- Ventilation port fashioned in one piece with the panel, gauged to optimize air flow, aerodynamically contoured and elongated to optimize performance and facilitate connection to the relative duct.
- Protective grille (in accordance with UNI ISO 13857 standard) combining the function of motor bracket, made of electrically welded steel with epoxy paint finish, colour black. Easy removal simplifies

maintenance and cleaning of the fan.

- 1 speed single phase AC motor of external rotor type designed to minimize axial dimensions, with shaft turning in ball bearings, insulation class F, thermal overload protection.
- Maximum air flow 5168 m³/h
- Dynamically balanced impeller (UNI ISO 1940, Point 1 - Class 6.3); 4 pressed steel blades, electrolytically galvanized and polyester powder-coated, colour black.
- Vortice speed controller.

CURVES



ACCESSORIES



**PGR 450/500
(PERSIANA
GRAVITA')**

Code 50550



**TRA 450/500
(TELAIO CON
RETE ANTINF.)**

Code 51550



**IREM INVERTER
4 M**

Code 12815

PER INFORMAZIONI:

Servizio al Cliente: tel +39 02 90699395 premendo 1 dopo messaggio registrato (consulenza su prodotti e impianti)

Pre & Post Vendita: fax +39 02 90699302

Email prevendita: prevendita@vortice-italy.com