

Technical Data Sheet

CODE 42346

A-E 506 T

Compact plate axial fans



Certifications

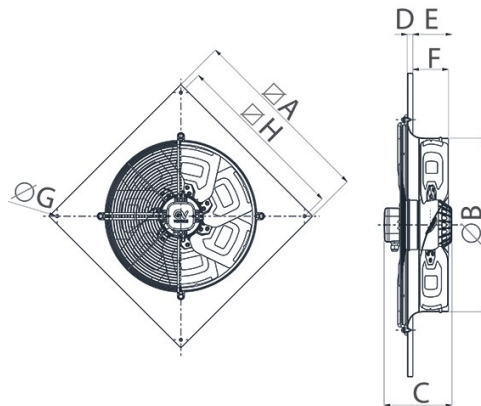
CE CE

EAC EAC

TECHNICAL AND PERFORMANCE DATA

Absorbed Current max (A)	0.79	Voltage (V)	380-415
Absorbed Power max (W)	250	Weight (Kg)	15.0
Frequency (Hz)	50	Delivery max (l/s)	1400
Insulation Class	1°	Delivery max (m ³ /h)	5040
IP	54	Pressure max - max speed (mmH20)	9.8
Max ambient temperature for continuous operation (°C)	50	Pressure max (Pa)	96
Motor IP protection	54	RPM	1000
Nominal Diameter (mm)	500	Sound power level Lw [dB(A)]	73.2
Number of Phases (Ph)	3	Sound pressure level Lp in free field [dB(A)] 1 m	62.2
Number of Poles	6	Sound pressure level Lp in free field [dB(A)] 3 m	52.7

DIMENSIONS



Size A (mm)	630
Size B (mm)	508
Size C (mm)	198
Size D (mm)	16
Size E (mm)	114
Size F (mm)	105
Size G (mm)	11
Size H (mm)	530

PER INFORMAZIONI:

Servizio al Cliente: tel +39 02 90699395 premendo 1 dopo messaggio registrato (consulenza su prodotti e impianti)

Pre & Post Vendita: fax +39 02 90699302

Email prevendita: prevendita@vortice-italy.com

Technical Data Sheet

CODE 42346

A-E 506 T

Compact plate axial fans



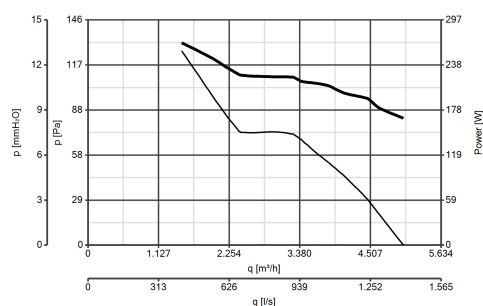
DESCRIPTION

- Nominal diameter 500 mm
- Panels made of pressed steel, phosphated and epoxy powder coated with hammered effect finish, guaranteeing long-term resistance to atmospheric agents.
- Ventilation port fashioned in one piece with the panel, gauged to optimize air flow, aerodynamically contoured and elongated to optimize performance and facilitate connection to the relative duct.
- Protective grille (in accordance with UNI ISO 13857 standard) combining the function of motor bracket, made of electrically welded steel with epoxy paint finish, colour black. Easy removal simplifies

maintenance and cleaning of the fan.

- 1 speed three-phase AC motor of external rotor type designed to minimize axial dimensions, with shaft turning in ball bearings, insulation class F, thermal overload protection.
- Maximum air flow 4844 m³/h
- Dynamically balanced impeller (UNI ISO 1940, Point 1 - Class 6.3); 4 pressed steel blades, electrolytically galvanized and polyester powder-coated, colour black.
- Vortice speed controller.

CURVES



ACCESSORIES



IRT 35

Code 12924



IRET INVERTER

2,5 M

Code 12816



IRT 15

Code 12923



PGR 450/500

**(PERSIANA
GRAVITA')**

Code 50550



TRA 450/500

**(TELAIO CON
RETE ANTINF.)**

Code 51550

PER INFORMAZIONI:

Servizio al Cliente: tel +39 02 90699395 premendo 1 dopo messaggio registrato (consulenza su prodotti e impianti)

Pre & Post Vendita: fax +39 02 90699302

Email prevendita: prevendita@vortice-italy.com