

# Technical Data Sheet

CODE 42347

## A-E 636 T

Compact plate axial fans



### Certifications

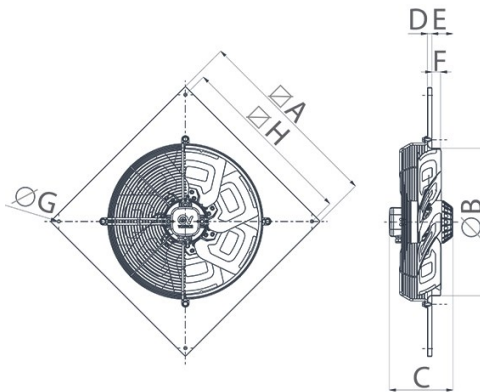
CE CE

EAC EAC

### TECHNICAL AND PERFORMANCE DATA

Absorbed Current max (A)	1,10	Voltage (V)	380-415
Absorbed Power max (W)	522	Weight (Kg)	15,8
Frequency (Hz)	50	Delivery max (l/s)	2639
Insulation Class	1°	Delivery max (m³/h)	9502
IP	54	Pressure max - max speed (mmH20)	15,7
Max ambient temperature for continuous operation (°C)	50	Pressure max (Pa)	154
Motor IP protection	54	RPM	1000
Nominal Diameter (mm)	630	Sound power level Lw [dB(A)]	78,5
Number of Phases (Ph)	3	Sound pressure level Lp in free field [dB(A)] 1 m	67,5
Number of Poles	6	Sound pressure level Lp in free field [dB(A)] 3 m	58,0

### DIMENSIONS



Size A (mm)	805
Size B (mm)	638
Size C (mm)	218
Size D (mm)	15
Size E (mm)	68
Size F (mm)	45
Size G (mm)	11
Size H (mm)	750

#### PER INFORMAZIONI:

Servizio al Cliente: tel +39 02 90699395 premendo 1 dopo messaggio registrato (consulenza su prodotti e impianti)

Pre & Post Vendita: fax +39 02 90699302

Email prevendita: prevendita@vortice-italy.com

# Technical Data Sheet

CODE 42347

## A-E 636 T

Compact plate axial fans



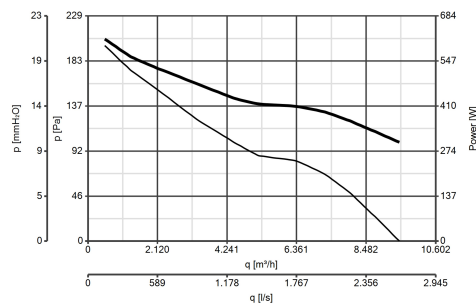
### DESCRIPTION

- Nominal diameter 630 mm
- Panels made of pressed steel, phosphated and epoxy powder coated with hammered effect finish, guaranteeing long-term resistance to atmospheric agents.
- Ventilation port fashioned in one piece with the panel, gauged to optimize air flow, aerodynamically contoured and elongated to optimize performance and facilitate connection to the relative duct.
- Protective grille (in accordance with UNI ISO 13857 standard) combining the function of motor bracket, made of electrically welded steel with epoxy paint finish, colour black. Easy removal simplifies

maintenance and cleaning of the fan.

- 1 speed three-phase AC motor of external rotor type designed to minimize axial dimensions, with shaft turning in ball bearings, insulation class F, thermal overload protection.
- Maximum air flow 9500 m<sup>3</sup>/h
- Dynamically balanced impeller (UNI ISO 1940, Point 1 – Class 6.3); 4 pressed steel blades, electrolytically galvanized and polyester powder-coated, colour black.
- Vortice speed controller.

### CURVES



### ACCESSORIES



#### IRT 35

Code 12924



#### IRET INVERTER

**2,5 M**

Code 12816

#### PER INFORMAZIONI:

Servizio al Cliente: tel +39 02 90699395 premendo 1 dopo messaggio registrato (consulenza su prodotti e impianti)

Pre & Post Vendita: fax +39 02 90699302

Email prevendita: [prevendita@vortice-italy.com](mailto:prevendita@vortice-italy.com)