

# Technical Data Sheet

CODE 45266

## VORT QBK-SAL KC M 315

Cabinet fans designed to extract hot, humid and dirty air



### Certifications



CE

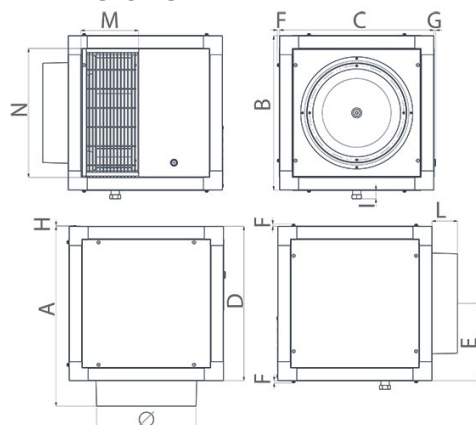


EAC

### TECHNICAL AND PERFORMANCE DATA

Absorbed Current at 220 V (A)	1,30	Nominal Diameter (mm)	315
Absorbed Current at 240 V (A)	1,23	Number of Poles	4
Absorbed Power at 220 V (W)	275	Voltage (V)	220-240
Absorbed Power at 240 V (W)	285	Weight (Kg)	33
Frequency (Hz)	50	Delivery max (l/s)	497
Insulation Class	I°	Delivery max (m <sup>3</sup> /h)	1790
IP	55	Pressure max (mmH <sub>2</sub> O)	36,1
Max ambient temperature for continuous operation (°C)	70	Pressure max (Pa)	354
Max Temperature of Exhaust Air (Continuous Operation)	120	RPM	1365
Motor Class	F	Sound power level L <sub>w</sub> [dB(A)]	70,2
Motor IP protection	55	Sound Pressure level L <sub>p</sub> [dB (A)] 3m	49,7

### DIMENSIONS



Size A (mm)	566
Size B (mm)	485
Size C (mm)	485
Size D (mm)	485
Size E (mm)	243
Size F (mm)	8
Size G (mm)	6
Size H (mm)	3
Size I (mm)	28
Size L (mm)	82
Size M (mm)	180
Size N (mm)	405
Size O (mm)	∅ 311

#### PER INFORMAZIONI:

Servizio al Cliente: tel +39 02 90699395 premendo 1 dopo messaggio registrato (consulenza su prodotti e impianti)

Pre & Post Vendita: fax +39 02 90699302

Email prevendita: prevendita@vortice-italy.com

# Technical Data Sheet

CODE 45266

## VORT QBK-SAL KC M 315

Cabinet fans designed to extract hot, humid and dirty air



### DESCRIPTION

- Cabinet: frames made of aluminium profiles; sandwich panels made of zinc-coated, 0,6 mm thick steel plates, lined with 23 mm thick rockwool.
- Circular part of inlet.
- Rectangular outlet. A specific optional adapter allows connection to circular pipes.
- Nominal diameter 315 mm.
- Single-phase ball bearings AC motor, located outside the airflow and separated from the impeller by a metal panel.
- Backward curved centrifugal impeller, dynamically balanced (ISO 1940, 6.3 class).
- Motor protection guard made of galvanised steel.
- Inspection panel with handle and triangular key.
- Condensate tray made of galvanised steel with drain point and blank nut for draining.
- Temperature of extracted air up to 120°C.
- Maximum environment air temperature: 70 ° C (if controlled by IRM5 2B controller code 12861, the maximum temperature drops to 55 ° C).
- Speed adjustable through Vortice's speed controllers.

### ACCESSORIES



#### TETTO PARAPIOGGIA 315

Code 24192



#### RACCORDO RETTANGOLARE TONDO 315

Code 24184



#### TETTO PROTEZIONE SCARICO 315

Code 24196



#### ANTIVIBRANTI 315/355

Code 24188



#### QBK-HE RF 315

Code 25063



#### SWT 16

Code 25059



#### IREM INVERTER 4 M

Code 12815



#### POT

Code 12828



#### PIEDINI 500/560

Code 24144

#### PER INFORMAZIONI:

Servizio al Cliente: tel +39 02 90699395 premendo 1 dopo messaggio registrato (consulenza su prodotti e impianti)

Pre & Post Vendita: fax +39 02 90699302

Email prevendita: prevendita@vortice-italy.com