

# Technical Data Sheet

CODE 45278

## VORT QBK-SAL KC T 500

Cabinet fans designed to extract hot, humid and dirty air



### Certifications

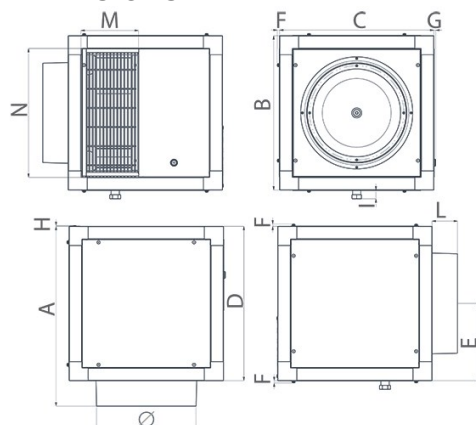
CE CE

EAC EAC

### TECHNICAL AND PERFORMANCE DATA

Absorbed Current at 380 V (A)	3,65	Nominal Diameter (mm)	450
Absorbed Current at 415 V (A)	3,55	Number of Poles	4
Absorbed Power at 380 V (W)	2090	Voltage (V)	380-415
Absorbed Power at 415 V (W)	2180	Weight (Kg)	80
Frequency (Hz)	50	Delivery max (l/s)	2500
Insulation Class	I°	Delivery max (m³/h)	9000
IP	55	Pressure max (mmH2O)	79.5
Max ambient temperature for continuous operation (°C)	50	Pressure max (Pa)	780
Max Temperature of Exhaust Air (Continuous Operation)	120	RPM	1325
Motor Class	H	Sound power level Lw [dB(A)]	84,2
Motor IP protection	55	Sound Pressure level Lp [dB (A)] 3m	63,7

### DIMENSIONS



Size A (mm)	803
Size B (mm)	722
Size C (mm)	722
Size D (mm)	722
Size E (mm)	361
Size F (mm)	8
Size G (mm)	6
Size H (mm)	3
Size I (mm)	28
Size L (mm)	82
Size M (mm)	325
Size N (mm)	642
Size O (mm)	∅
	498

#### PER INFORMAZIONI:

Servizio al Cliente: tel +39 02 90699395 premendo 1 dopo messaggio registrato (consulenza su prodotti e impianti)

Pre & Post Vendita: fax +39 02 90699302

Email prevendita: prevendita@vortice-italy.com

# Technical Data Sheet

CODE 45278

## VORT QBK-SAL KC T 500

Cabinet fans designed to extract hot, humid and dirty air



### DESCRIPTION

- Cabinet: frames made of aluminium profiles; sandwich panels made of zinc-coated, 0,6 mm thick steel plates, lined with 23 mm thick rockwool.
- Circular part of inlet.
- Rectangular outlet. A specific optional adapter allows connection to circular pipes.
- Nominal diameter 500 mm.
- Three-phase ball bearings AC motor, located outside the airflow and separated from the impeller by a metal panel.
- Backward curved centrifugal impeller, dynamically balanced (ISO 1940, 6.3 class).
- Motor protection guard made of galvanised steel.
- Inspection panel with handle and triangular key.
- Condensate tray made of galvanised steel with drain point and blank nut for draining.
- Temperature of extracted air up to 120°C.
- Maximum environment air temperature: 50 ° C (if controlled by IRT5 7 controller code 12856, the maximum temperature drops to 40 ° C).
- Speed adjustable through Vortice's speed controllers.

### ACCESSORIES



#### IRET INVERTER 5 M

Code 12817



#### RACCORDO RETTANGOLARE TONDO 500

Code 24187



#### TETTO PARAPIOGGIA 500

Code 24195



#### TETTO PROTEZIONE SCARICO 500

Code 24199



#### QBK-HE RF 500

Code 25066



#### SWT 16

Code 25059



#### POT

Code 12828

#### PER INFORMAZIONI:

Servizio al Cliente: tel +39 02 90699395 premendo 1 dopo messaggio registrato (consulenza su prodotti e impianti)

Pre & Post Vendita: fax +39 02 90699302

Email prevendita: [prevendita@vortice-italy.com](mailto:prevendita@vortice-italy.com)